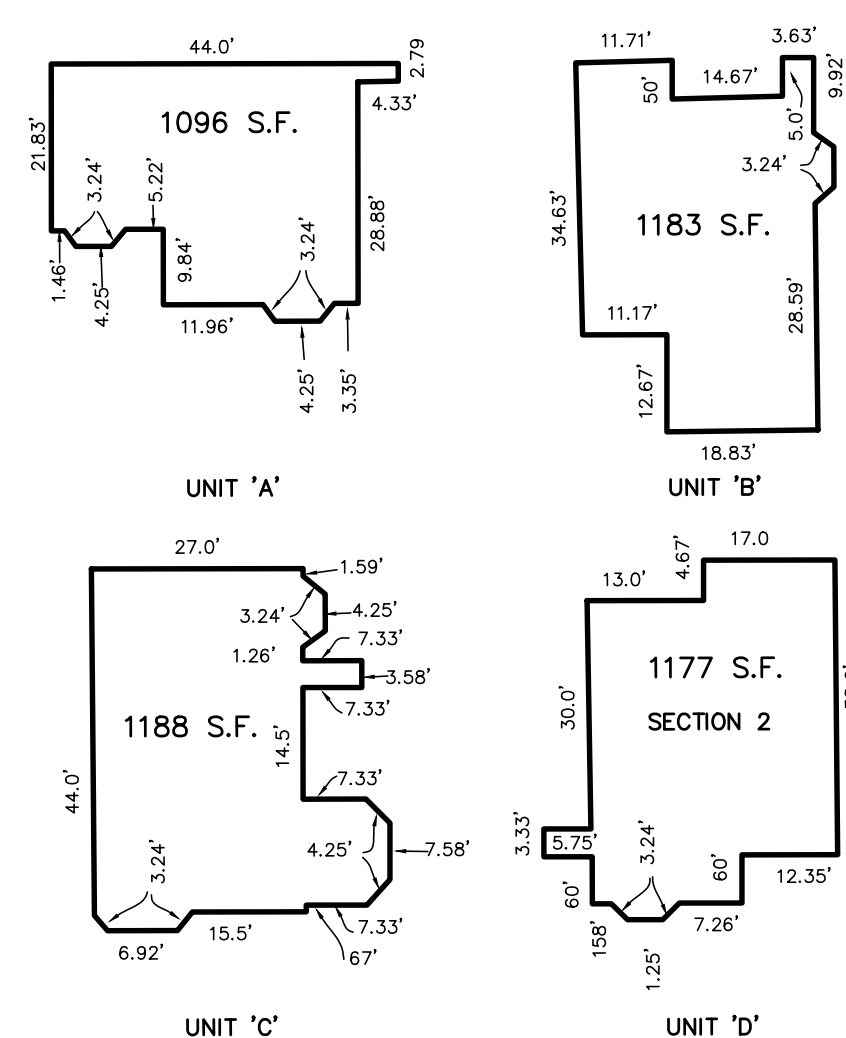


REVISIONS		
DATE	NAME	LIC. NO.

SEE SHEET 22.10



TYPICAL UNIT DIMENSIONS



KEY
 44.329-ODD NUMBERS-FIRST LEVEL
 44.330-EVEN NUMBERS-SECOND LEVEL

SEE SHEET 23.01

TM
 ASSOCIATES
 11 TINDALL ROAD
 MIDDLETOWN, NJ 07748
 TEL 732-671-6400
 FAX 732-671-7365
 NEW JERSEY BOARD OF
 PROFESSIONAL ENGINEERS AND
 LAND SURVEYORS
 CERTIFICATE OF AUTHORIZATION
 246A27987500

TAX MAP
 TOWNSHIP OF FREEHOLD
 MONMOUTH COUNTY, NEW JERSEY
 SCALE: 1" = 50' JANUARY, 2008
TIMOTHY P. WHITE, P.E., P.L.S.
 1 MUNICIPAL PLAZA
 FREEHOLD, NEW JERSEY 07728